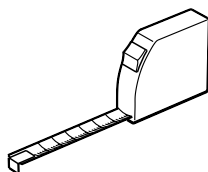
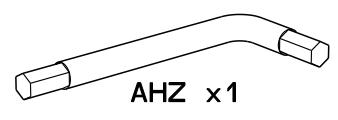
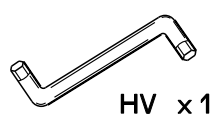
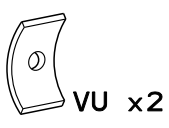
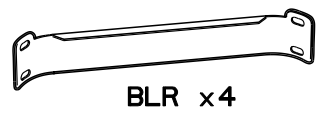
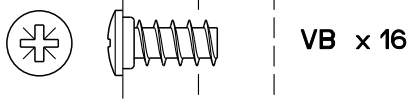
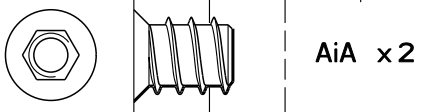
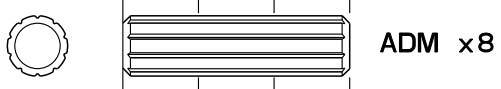
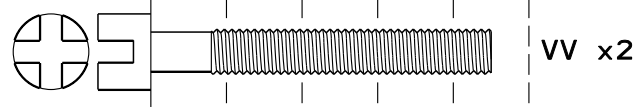
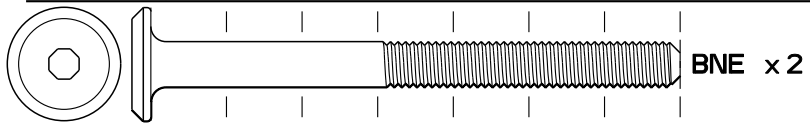
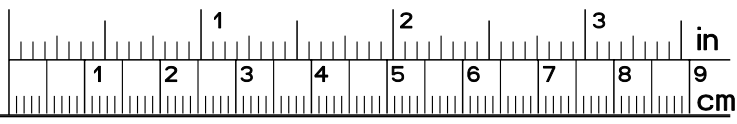
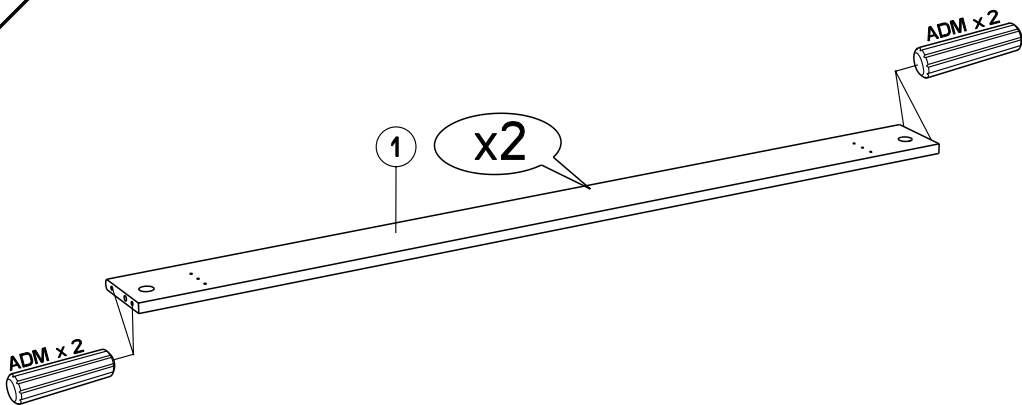


		mm			inch				
①	x 2	1900	155	22	74	13/16	6	1/8	7/8
③	x 1	984	704	22	38	3/4	27	11/16	7/8
②	x 1	984	870	22	38	3/4	34	1/4	7/8

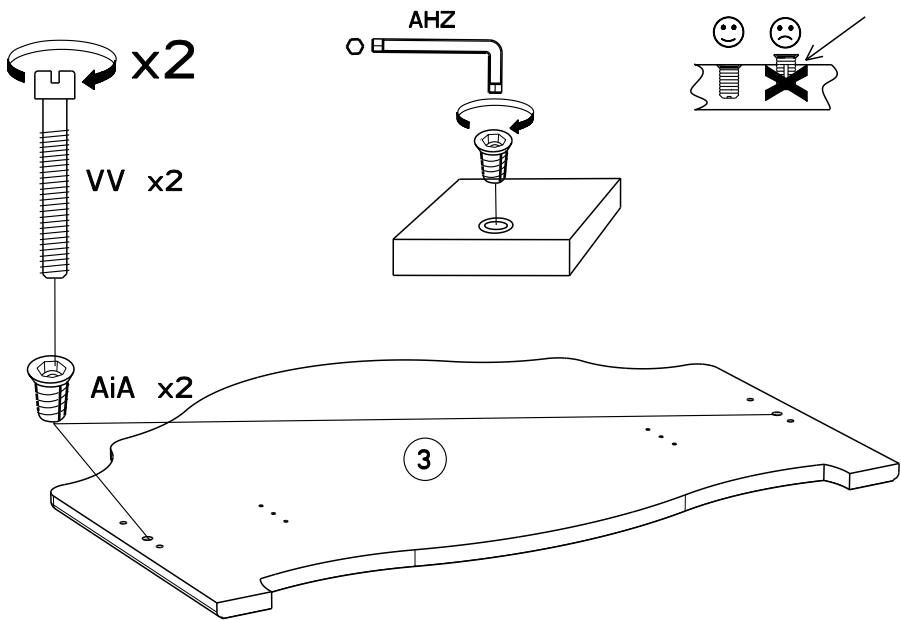




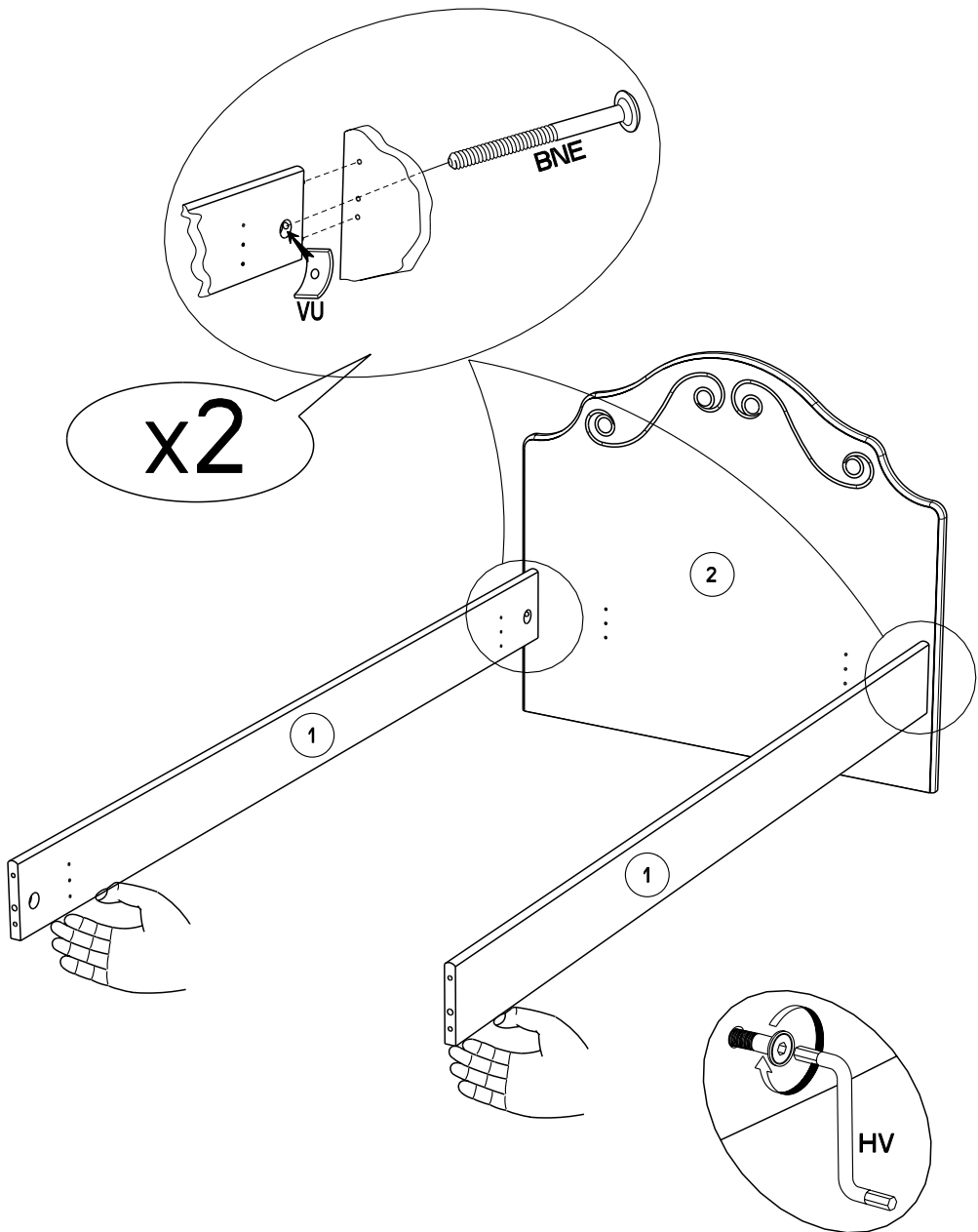
1



2



3



4

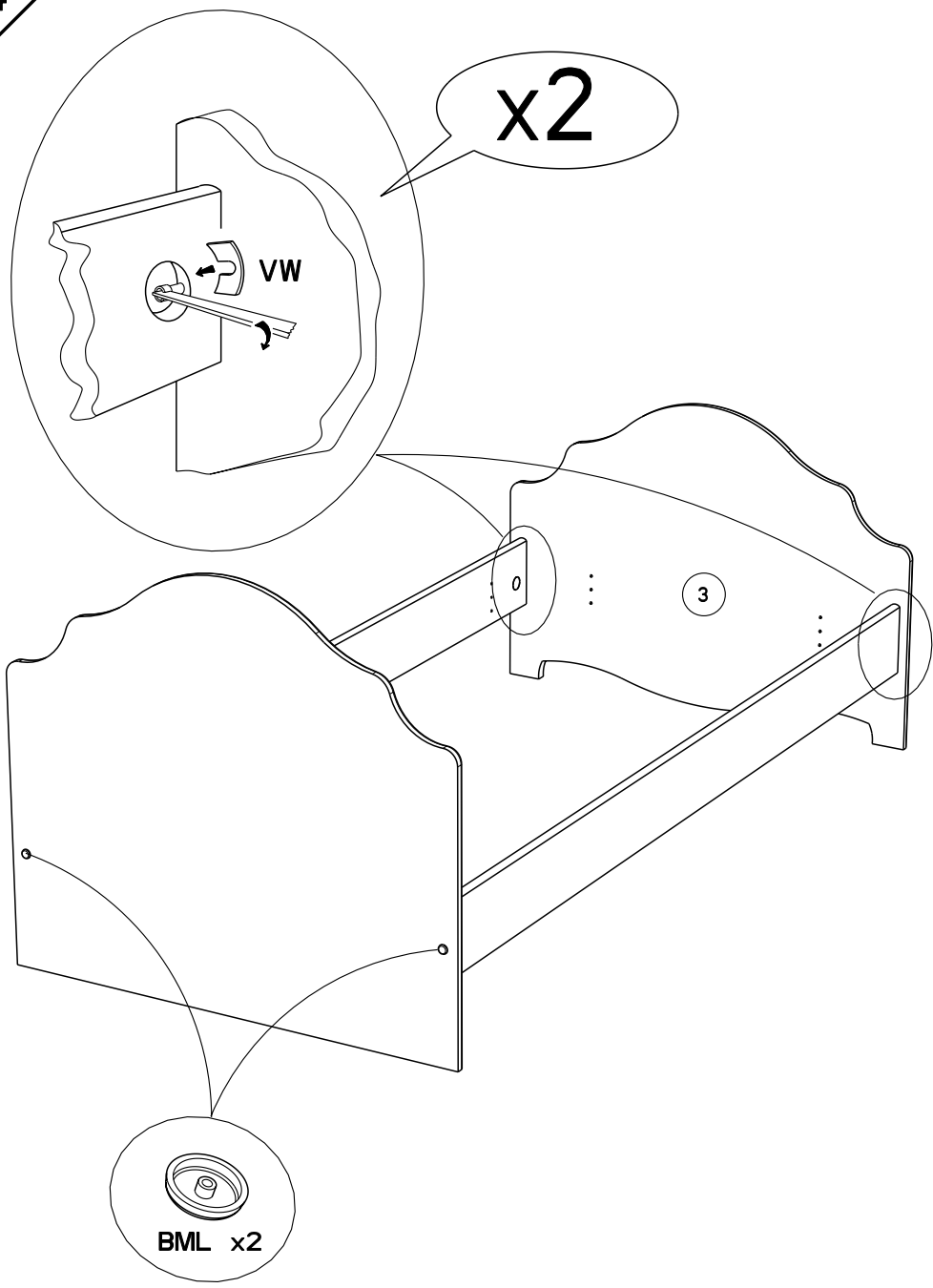
x2

VW

0

3

BML x2



5

